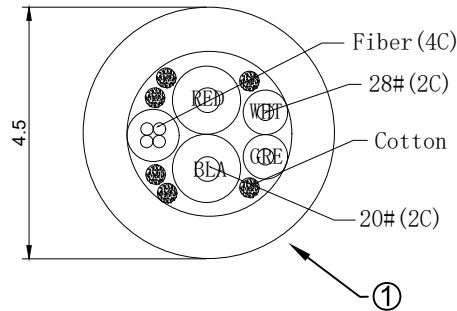
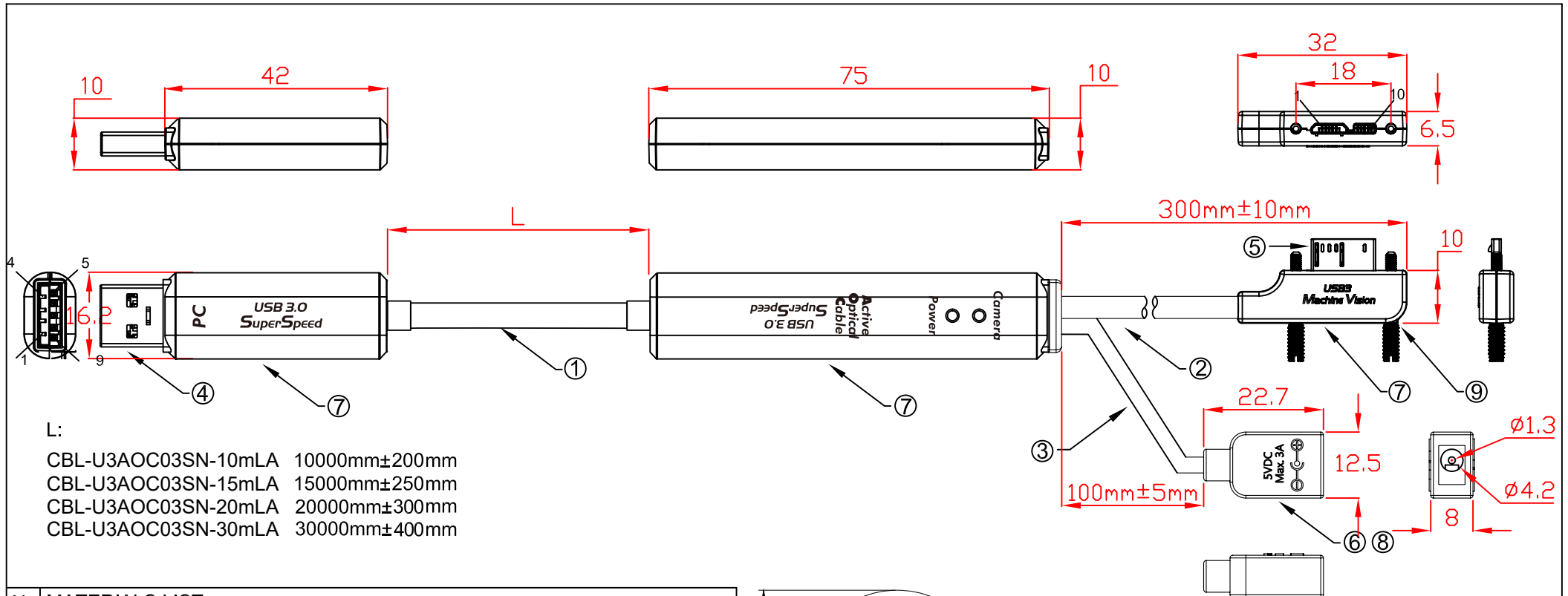


No	MATERIALS LIST:
1.	CABLE: USB AOC (4 Fiber + 4 Copper) OD:4.5mm PVC JACKET COLOR:BLUE
2.	CABLE:UL20276 (32AWG*1PR+D+AM)x2C+32AWG*1PR+24AWG*1C+AM+B OD:4.2mm PVC JACKET COLOR:BLUE
3.	CABLE:28AWGx2C OD:3.0mm PVC JACKET COLOR:BLUE
4.	CONNECTOR:USB 3.0 A/M, 9P, BLUE INSULATOR SOLDER TYPE, NICKEL PLATED SHELL
5.	CONNECTOR:USB 3.0 MicroB/M, 10P, BLACK INSULATOR SOLDER TYPE, NICKEL PLATED SHELL
6.	DC JACK
7.	ABS ASSEMBLY HOUSING, BLUE COLOR
8.	PVC MOLDED HOUSING, BLUE COLOR
9.	SCREW:#4x33 M2



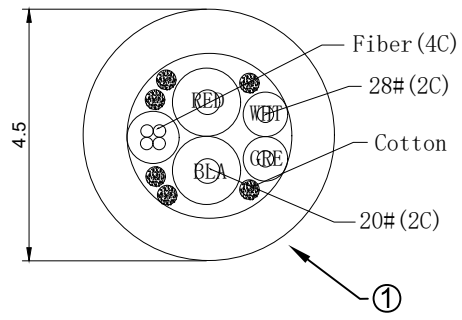
Jargy part no.	Client part no.	Approved	SCALE	UNIT
CBL-U3AOC03SN-xm				mm
Drawing Name		Drawn	Date	REV.
USB 3.0 A to Micro-B AOC Cable M/M				1.0

Mobile Computing **JARGY**



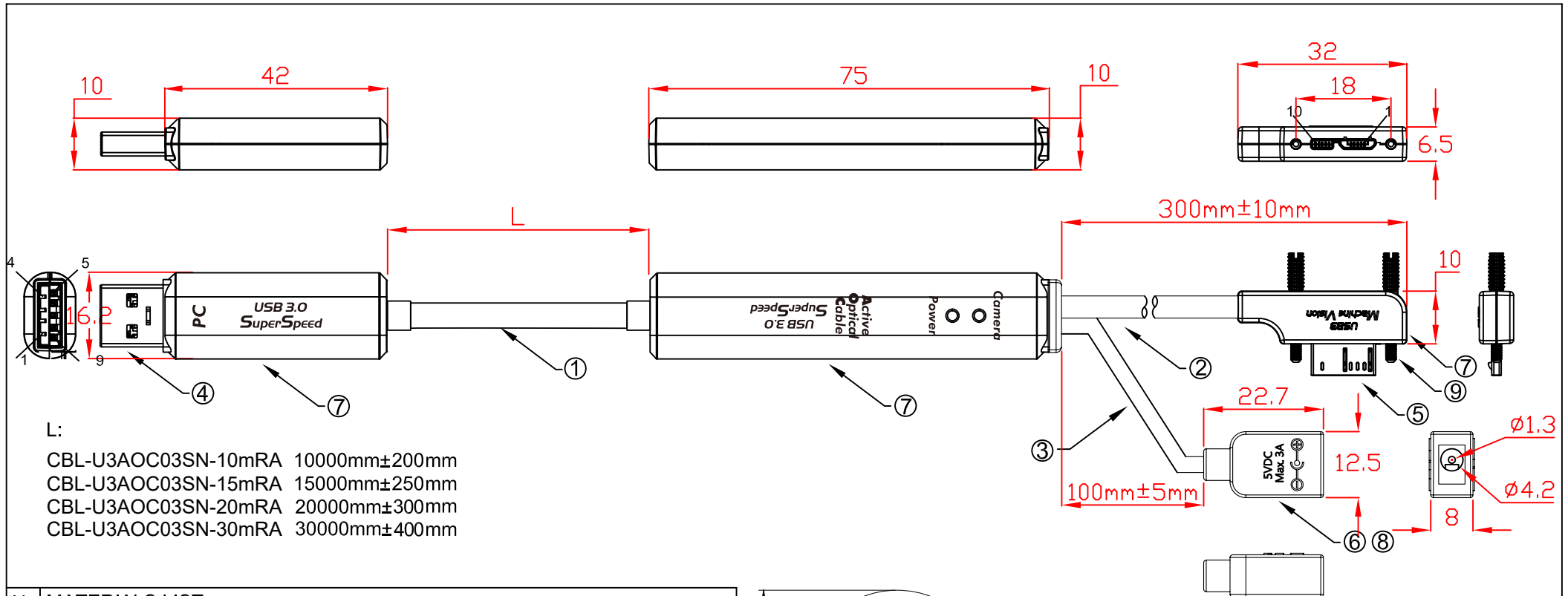
- L:
- CBL-U3AOC03SN-10mLA 10000mm±200mm
 - CBL-U3AOC03SN-15mLA 15000mm±250mm
 - CBL-U3AOC03SN-20mLA 20000mm±300mm
 - CBL-U3AOC03SN-30mLA 30000mm±400mm

No	MATERIALS LIST:
1.	CABLE: USB AOC (4 Fiber + 4 Copper) OD:4.5mm PVC JACKET COLOR:BLUE
2.	CABLE:UL20276 (32AWG*1PR+D+AM)x2C+32AWG*1PR+24AWG*1C+AM+B OD:4.2mm PVC JACKET COLOR:BLUE
3.	CABLE:28AWGx2C OD:3.0mm PVC JACKET COLOR:BLUE
4.	CONNECTOR:USB 3.0 A/M, 9P, BLUE INSULATOR SOLDER TYPE, NICKEL PLATED SHELL
5.	CONNECTOR:USB 3.0 MicroB/M, 10P, BLACK INSULATOR SOLDER TYPE, NICKEL PLATED SHELL
6.	DC JACK
7.	ABS ASSEMBLY HOUSING, BLUE COLOR
8.	PVC MOLDED HOUSING, BLUE COLOR
9.	SCREW:#3x20.7 M2

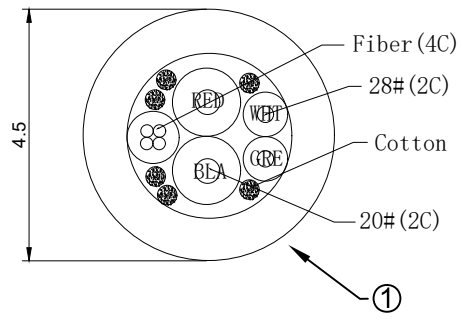


Jargy part no.	Client part no.	Approved	SCALE	UNIT
CBL-U3AOC03SN-xmLA				mm
Drawing Name		Drawn	Date	REV.
USB 3.0 A to Micro-B AOC Cable M/M				1.0

Mobile Computing **JARGY**

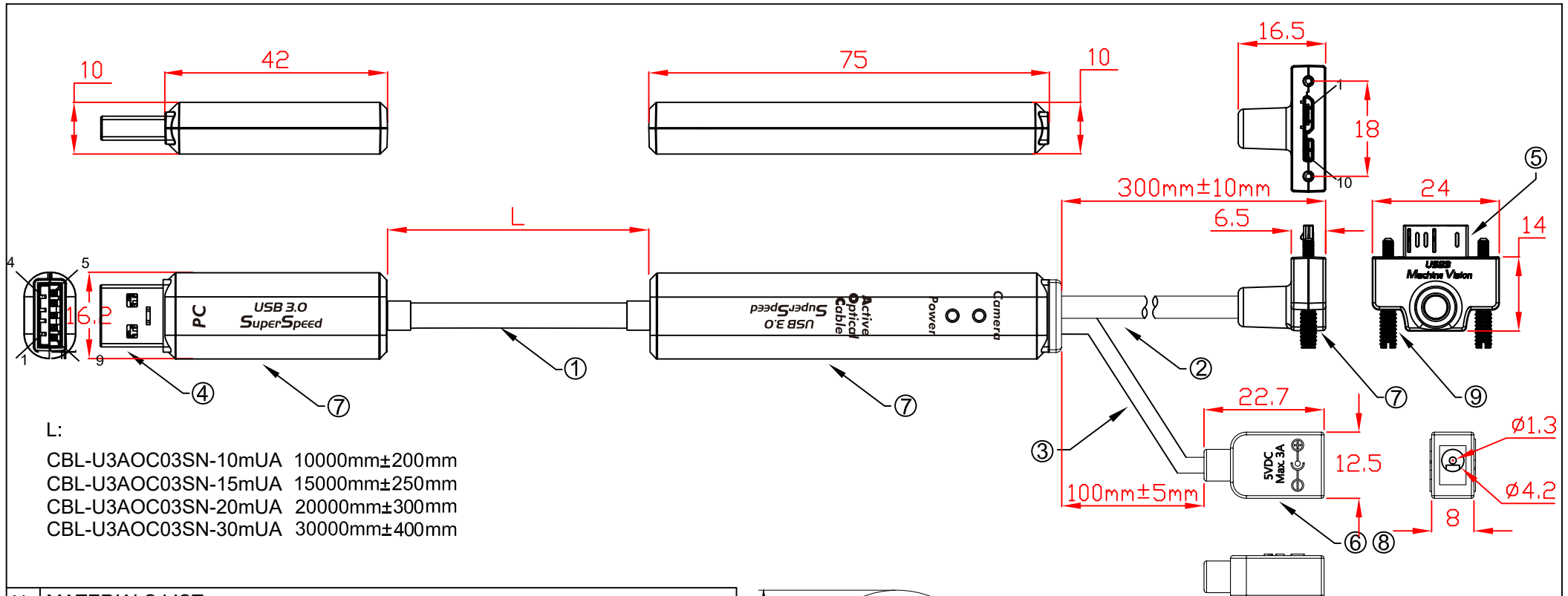


No	MATERIALS LIST:
1.	CABLE: USB AOC (4 Fiber + 4 Copper) OD:4.5mm PVC JACKET COLOR:BLUE
2.	CABLE:UL20276 (32AWG*1PR+D+AM)x2C+32AWG*1PR+24AWG*1C+AM+B OD:4.2mm PVC JACKET COLOR:BLUE
3.	CABLE:28AWGx2C OD:3.0mm PVC JACKET COLOR:BLUE
4.	CONNECTOR:USB 3.0 A/M, 9P, BLUE INSULATOR SOLDER TYPE, NICKEL PLATED SHELL
5.	CONNECTOR:USB 3.0 MicroB/M, 10P, BLACK INSULATOR SOLDER TYPE, NICKEL PLATED SHELL
6.	DC JACK
7.	ABS ASSEMBLY HOUSING, BLUE COLOR
8.	PVC MOLDED HOUSING, BLUE COLOR
9.	SCREW:#3x20.7 M2



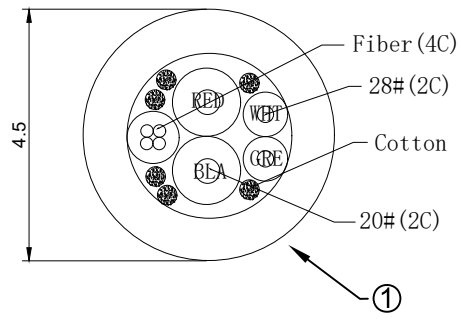
Jargy part no.	Client part no.	Approved	SCALE	UNIT
CBL-U3AOC03SN-xmRA				mm
Drawing Name		Drawn	Date	REV.
USB 3.0 A to Micro-B AOC Cable M/M				1.0

Mobile Computing **JARGY**



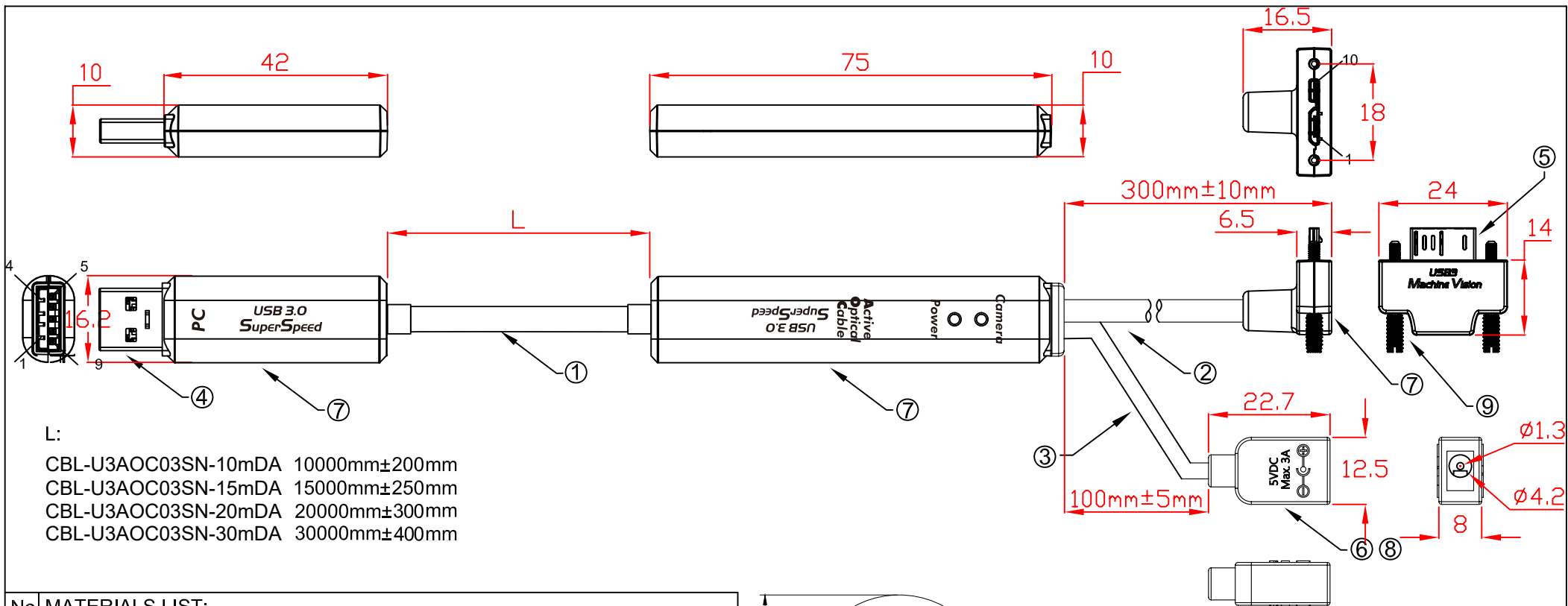
- L:
- CBL-U3AOC03SN-10mUA 10000mm±200mm
 - CBL-U3AOC03SN-15mUA 15000mm±250mm
 - CBL-U3AOC03SN-20mUA 20000mm±300mm
 - CBL-U3AOC03SN-30mUA 30000mm±400mm

No	MATERIALS LIST:
1.	CABLE: USB AOC (4 Fiber + 4 Copper) OD:4.5mm PVC JACKET COLOR:BLUE
2.	CABLE:UL20276 (32AWG*1PR+D+AM)x2C+32AWG*1PR+24AWG*1C+AM+B OD:4.2mm PVC JACKET COLOR:BLUE
3.	CABLE:28AWGx2C OD:3.0mm PVC JACKET COLOR:BLUE
4.	CONNECTOR:USB 3.0 A/M, 9P, BLUE INSULATOR SOLDER TYPE, NICKEL PLATED SHELL
5.	CONNECTOR:USB 3.0 Micro B/M, 10P, BLACK INSULATOR SOLDER TYPE, NICKEL PLATED SHELL
6.	DC JACK
7.	ABS ASSEMBLY HOUSING, BLUE COLOR
8.	PVC MOLDED HOUSING, BLUE COLOR
9.	SCREW:#3x20.7 M2

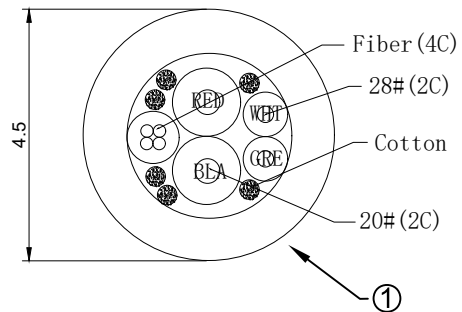


Jargy part no.	Client part no.	Approved	SCALE	UNIT
CBL-U3AOC03SN-xmUA				mm
Drawing Name		Drawn	Date	REV.
USB 3.0 A to Micro-B AOC Cable M/M				1.0

Mobile Computing **JARGY**



No	MATERIALS LIST:
1.	CABLE: USB AOC (4 Fiber + 4 Copper) OD:4.5mm PVC JACKET COLOR:BLUE
2.	CABLE:UL20276 (32AWG*1PR+D+AM)x2C+32AWG*1PR+24AWG*1C+AM+B OD:4.2mm PVC JACKET COLOR:BLUE
3.	CABLE:28AWGx2C OD:3.0mm PVC JACKET COLOR:BLUE
4.	CONNECTOR:USB 3.0 A/M, 9P, BLUE INSULATOR SOLDER TYPE, NICKEL PLATED SHELL
5.	CONNECTOR:USB 3.0 MicroB/M, 10P, BLACK INSULATOR SOLDER TYPE, NICKEL PLATED SHELL
6.	DC JACK
7.	ABS ASSEMBLY HOUSING, BLUE COLOR
8.	PVC MOLDED HOUSING, BLUE COLOR
9.	SCREW:#3x20.7 M2



Jargy part no.	Client part no.	Approved	SCALE	UNIT
CBL-U3AOC03SN-xmDA				mm
Drawing Name		Drawn	Date	REV.
USB 3.0 A to Micro-B AOC Cable M/M				1.0

Mobile Computing **JARGY**